



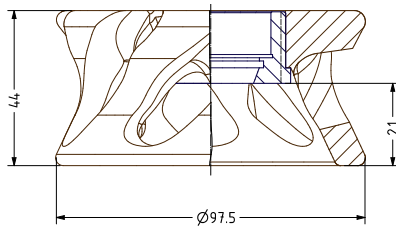
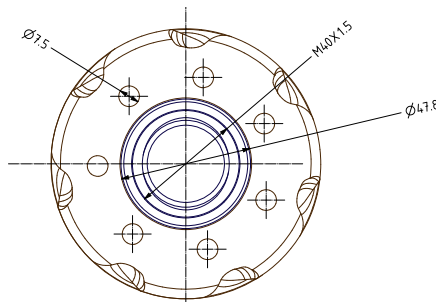
IMS TWISTER

Technical specs

Do you want to improve the quality of your work and lower the maintenance time on your CNC?

Remove 90% of production debris right during the cut!

With IMS Twister you cut more and clean less!



- Work space free from wood chips and residuals
- No accumulation of waste material near the tool
- 40% more quiet than its competitors
- Standard balancing 25,000 rpm
- High precision standards
- Improved quality of the cutting application
- Reduced dust buildup in the work space
- Improved safety
- Extended life of cutting tool
- Electronic and pneumatics components free of dust and debris resulting in less cost and time spent on daily maintenance
- Clean up time reduced
- Rust resistant
- Light weight design (0.90lbs) does not hinder on the total weight of the tool assembly
- Effective as low as 14,000 rpm
- Ideal for cutting surfaces such as chipboard, laminated materials, HPL, MDF, and drywall
- Quick and easy assembly
- Available in two sizes: O.D. 97,5mm (Max tool diameter of 70mm) and O.D. 80mm (Max tool diameter of 60mm)
- Compatible tapers include HSK, ISO, BT, CAT, CAPTO, and KM
- Ideal gap between nut and work surface is 2-10mm
- Available for ER25, ER32, ER40 and ORT25 collets

Parts of your business



Company's
Certificate
TUV

I.M.S. S.R.L.
Industrial Machining Solutions
Via Giovanni Agnelli, 2
12048 Sommariva Bosco (CN) Italy
Tel. +39 0172 54015
Fax +39 0172 54014
www.ims.eu - ims@ims.eu

IMS USA LLC
110 Portwatch Way
Unit 103 - Wilmington
NC - 28412 - USA
Tel. (+1) 910 796 2040
Fax (+1) 910 796 2039
info@imsusanc.com
www.imsusanc.com

IMS TECNICA INDUSTRIAL S.L.
CL GENERAL URRUTIA 75
Oficina 7 a - 46013 - Valencia - Espana
Tel: (+34) 9606 40056
info@imsiberica.es
www.imsiberica.es

MACHTECHSOLUTION S.R.O.
Oldřichova 247/5, Praha 2
nusle, 128 00 Czech Republic
Tel. (+420) 3711 21364
info@machtechsolution.cz
www.machtechsolution.cz